



www.abreezo.com
toll free: 800-461-0006

2008-03-24

specification sheet model: light80/110

two-speed 80/110 CFM lighted fan

Typical Specification

Fan shall be Abreezo model "light80/110".

Fan shall have a powder coated steel housing. Hanger rod mounted with a steel exhaust collar. It shall be ducted with duct sized in accordance with local building codes. Back draft damper to be automatic and counter weighted. Blower to be balanced and shall operate at low RPM. Air delivery shall be rated at 80 CFM low speed and 110 CFM high speed, at a sound level of 1.1 sones and 2.0 sones respectively. 26 watt compact fluorescent lamp with GX24q-3 base, 4 watt night light and 4-button switch included. Fan to be HVI and Energy Star® certified and CUL approved.

Product Details

Housing:

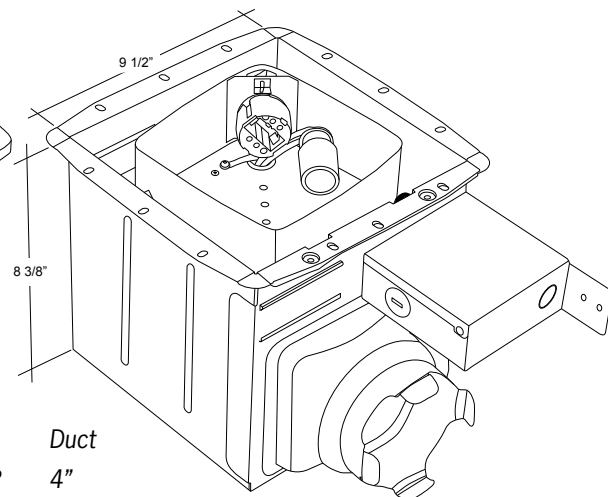
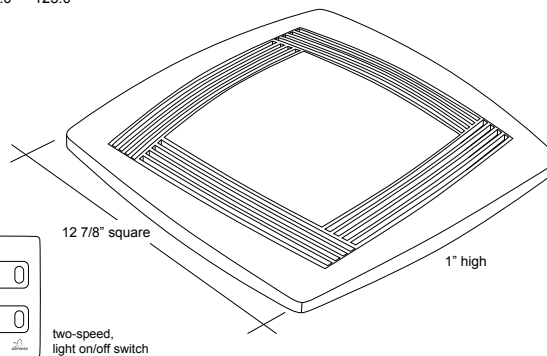
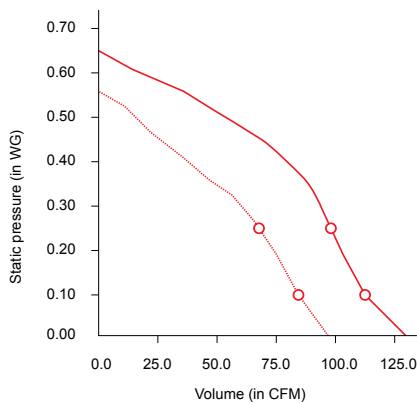
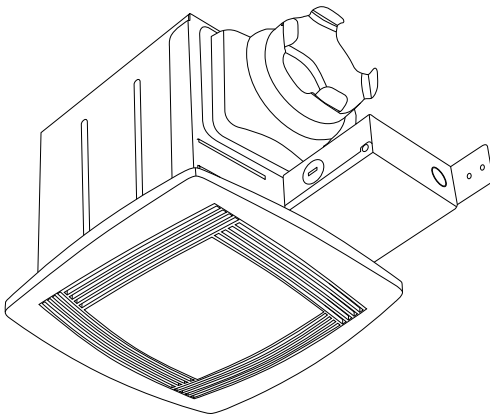
Constructed from premium steel, powder coated to resist rusting. Hanger rod mounting secures the housing to the structure. Steel 4" duct collar.

Blower:

Sirocco blower assembly and continuous duty motor provide high performance and low noise operation. Capacitor style plug-in motor is continuous duty rated, low RPM, requiring no maintenance. Spring loaded back draft damper secured at the exhaust collar eliminates the "clicking" damper noise.

Grill:

Torsion mounting, installs without tools. Extra winding in the springs ensure a positive fit against the ceiling. Torsion springs secured to the grill with a cleat and screw assembly. Extra set of mounting studs provided on the grill for future use.



Specifications:

Volts	Amps	Watts	Sones	CFM	Duct
120	0.29/0.34	33.9/38.6	1.1/2.0	80/110 @ 0.1 SP 65/100 @ 0.25 SP	4"

Reference	Qty.	Remarks	Project
			Location
			Architect
			Engineer
			Contractor
			Submitted by
			Date